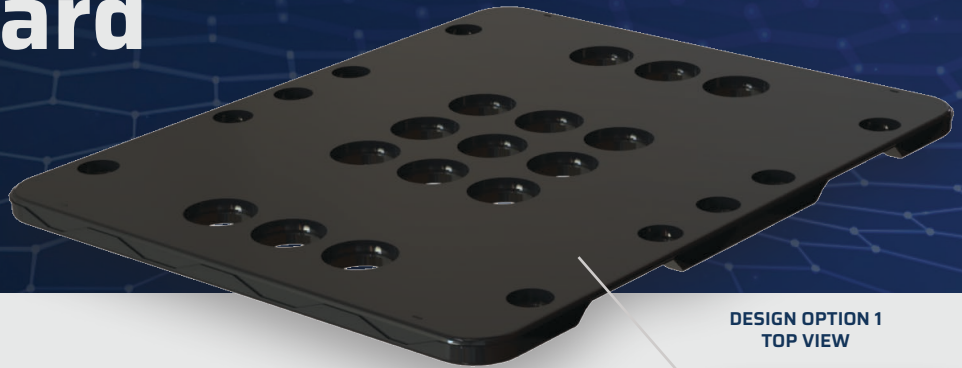


Systems Board

Conveyor Pallet

Thermoformed HDPE
Twin Sheet Construction

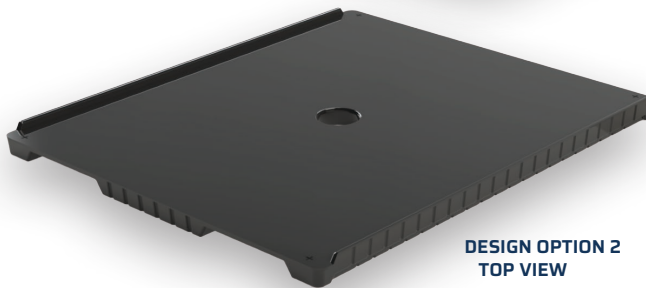


DESIGN OPTION 1
TOP VIEW

01 / Details

FEATURES

- Stacking cones*
- ISPM 15 exempt
- Fork entry ramps*
- Recessed banding slots*
- No nails or wood splinters
- Customizable to fit any system
- Allows maximum storage and transportation efficiency
- Use with conveyor systems and ASRS (automated retrieval and storage systems)



DESIGN OPTION 2
TOP VIEW



TruGrip™
An anti-skid surface like no other

Introducing TruGrip™ offering the highest COF available on the market using a proprietary rubber-like material. Prevents slippage of boxes on fork tines and on floors.

OPTIONS

- Steel, aluminum, or other substrates can be encapsulated for additional support with conveyors and racking systems
- Custom logos and/or label locations
- Hand holes*
- Stripe I.D.
- TruGrip™

*Available in some models



Conveyable and
ASRS Compatible

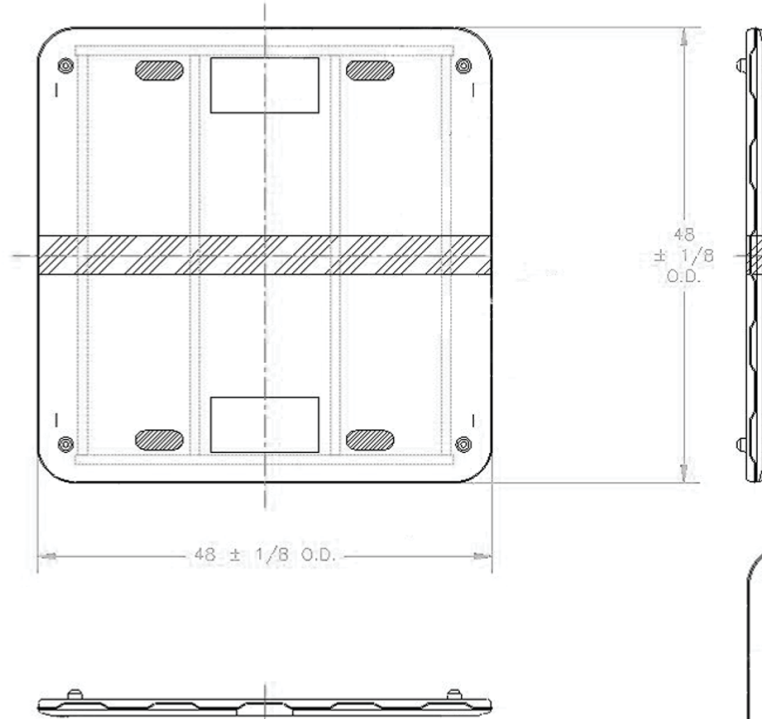
02 / Specifications

PRODUCT	DIMENSIONS					WEIGHT		STACK HEIGHT	QTY PER STACK			QTY 53' TLD	QTY 40' SC	QTY 40' HC
	L	W	H	DECK HEIGHT	STACKING CONE HEIGHT	WITH SUBSTRATE	PLASTIC ONLY		TLD	SC	HC			
44 x 54 (Option 1)	53.875	44	1.8	1.8	N/A	50 lbs 22.68 kg	22.63 lbs 10.26 kg	102"	52	48	54	1,144	960	1,080
40 x 48 (Option 2)	48	40	2.625	2.625	N/A	38 lbs 17.24 kg	18 lbs 8.16 kg	102"	36	33	38	1,080	792	912
46 x 54	54	46	1.5	1.5	N/A	39.3 lbs 17.83 kg	21.5 lbs 9.75 kg	102"	64	58	66	1,408	1,160	1,320
47 x 51	51	47	2.375	1.625	0.75	57 lbs 25.85 kg	22 lbs 9.98 kg	102"	48	37	50	1,152	370	500
48 x 48 (Option 3)	48	48	2.75	1.75	1	35 lbs 15.88 kg	22 lbs 9.98 kg	102"	54	49	56	1,404	490	560

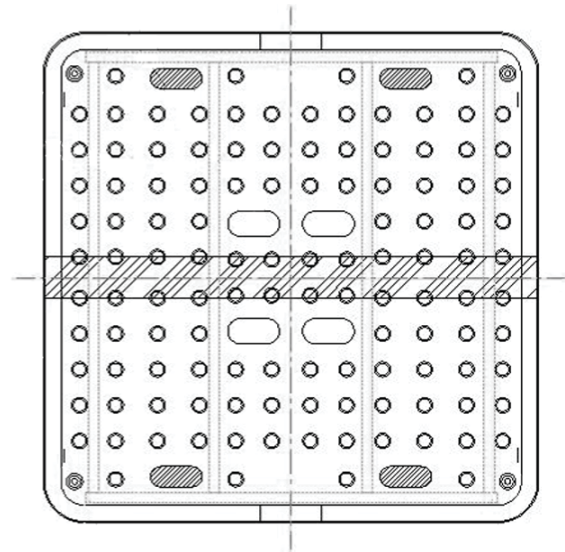
Performance characteristics vary with applications. To optimize nominal specifications, loads must be evenly distributed to reach capacity. Load construction, support conditions, transportation, load retention, user facility and temperature are factors that affect pallet capacity.

System Board Conveyor Pallet

SPECIFICATIONS



DESIGN OPTION 3
TOP, BOTTOM, AND
SIDE VIEWS



OPTIONS 1 & 2 - TOP VIEW ON PAGE 1
OPTION 3 - DRAWING ABOVE
ADDITIONAL DESIGN OPTIONS AVAILABLE UPON REQUEST

PALLET ADVANTAGES

- Environmentally Friendly
- ISPM 15 Exempt
- Long Service Life



Easy
Clean



Sanitary



Weather
Resistant



Impact
Resistant



Recycle

TriEnda publishes standard guidelines for its products, based on its testing standards, and, as such, these guidelines do not constitute any warranty related to each customer's individual application. The material handling industry has not standardized on test methodology and rating criteria for each individual product. All TriEnda products are sold with the understanding that the customer will validate for themselves the suitability of the product for their specific application. As each product application is unique, the customer assumes all risks associated with the determination and actual use of the pallet.

